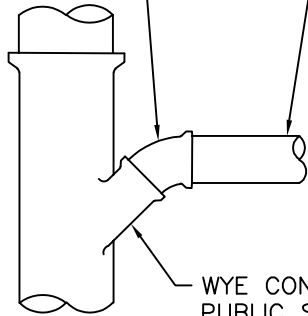


6" SERVICE LINE (SEE NOTE #2 BELOW) AT 1% MINIMUM SLOPE

45° BEND

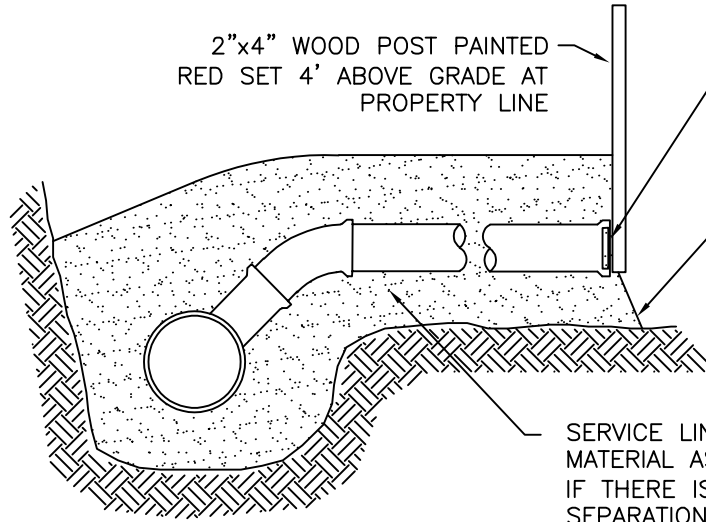


WYE CONNECTION TO PUBLIC SEWER

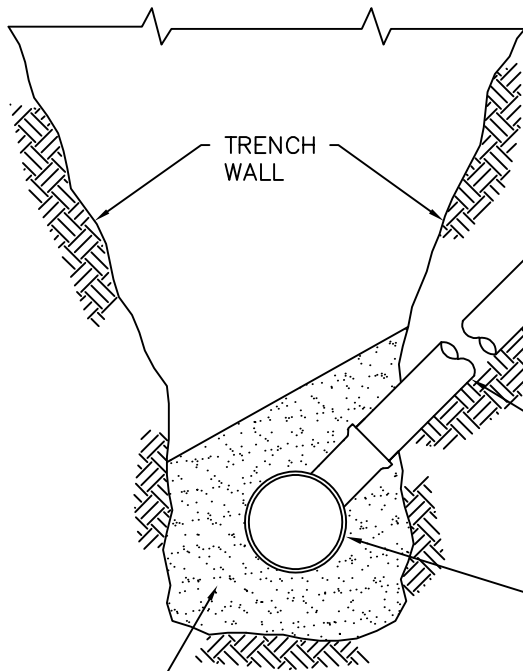
2"x4" WOOD POST PAINTED RED SET 4' ABOVE GRADE AT PROPERTY LINE

WATERTIGHT FACTORY MADE PLUG

4" COMPACTED CA-7 UNDER SERVICE PIPE. IF PVC PLACE 12" COVER OVER PIPE.



SERVICE LINE TO BE SAME MATERIAL AS MAIN LINE SEWER IF THERE IS A 10' OR MORE SEPARATION FROM WATER SERVICE.



45° BEND

9'-0" MAX. TO GROUND SURFACE

TRENCH WALL

UNDISTURBED EARTH- GROOVE SIDE OF TRENCH TO PROVIDE UNIFORM BEARING FOR 1/4 OF BARREL CIRCUMFERENCE.

MAXIMUM SLOPE 45°

STANDARD TEE- BARREL SIZES TO BE AS CALLED FOR ON THE PLANS, OR AS OTHERWISE SPECIFIED.

COMPACTED CA-7 4" BELOW PIPE AND 12" ABOVE PIPE.

NOTES:

1. SANITARY SEWER RISERS TO BE CONSTRUCTED IN LIEU OF WYES WHERE SEWER DEPTH EXCEEDS 12'-0".
2. SERVICE LINE PIPE MATERIALS SHALL CONFORM TO THE LATEST EDITION OF THE ILLINOIS PLUMBING CODE OR THE ILLINOIS STANDARD SPECIFICATIONS FOR SEWER AND WATER CONSTRUCTION, WHICHEVER IS MORE STRINGENT.



**CITY OF
BATAVIA**

**CITY OF BATAVIA
PUBLIC WORKS DEPARTMENT**

SHEET: 1 OF 1
DATE: 1/1/16

SANITARY SEWER SERVICE & SERVICE RISER

STANDARD NO. 5.03