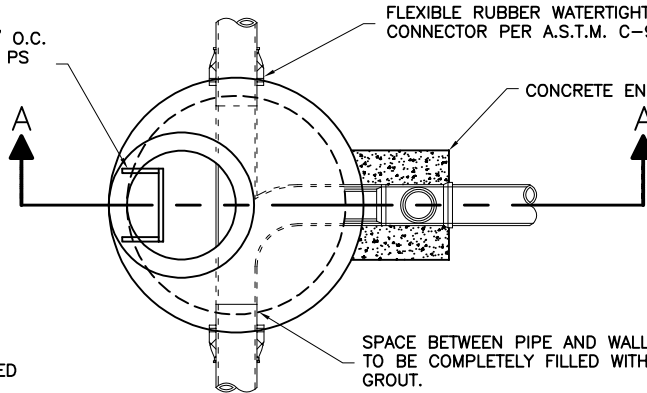


PLASTIC MANHOLE STEPS 1'-4" O.C.
M.A. INDUSTRIES CAT. NO. M.A. PS
IPF OR APPROVED EQUAL.

FLEXIBLE RUBBER WATERTIGHT
CONNECTOR PER A.S.T.M. C-923

CONCRETE ENCASEMENT



SPACE BETWEEN PIPE AND WALL OF MANHOLE
TO BE COMPLETELY FILLED WITH NON-SHRINK
GROUT.

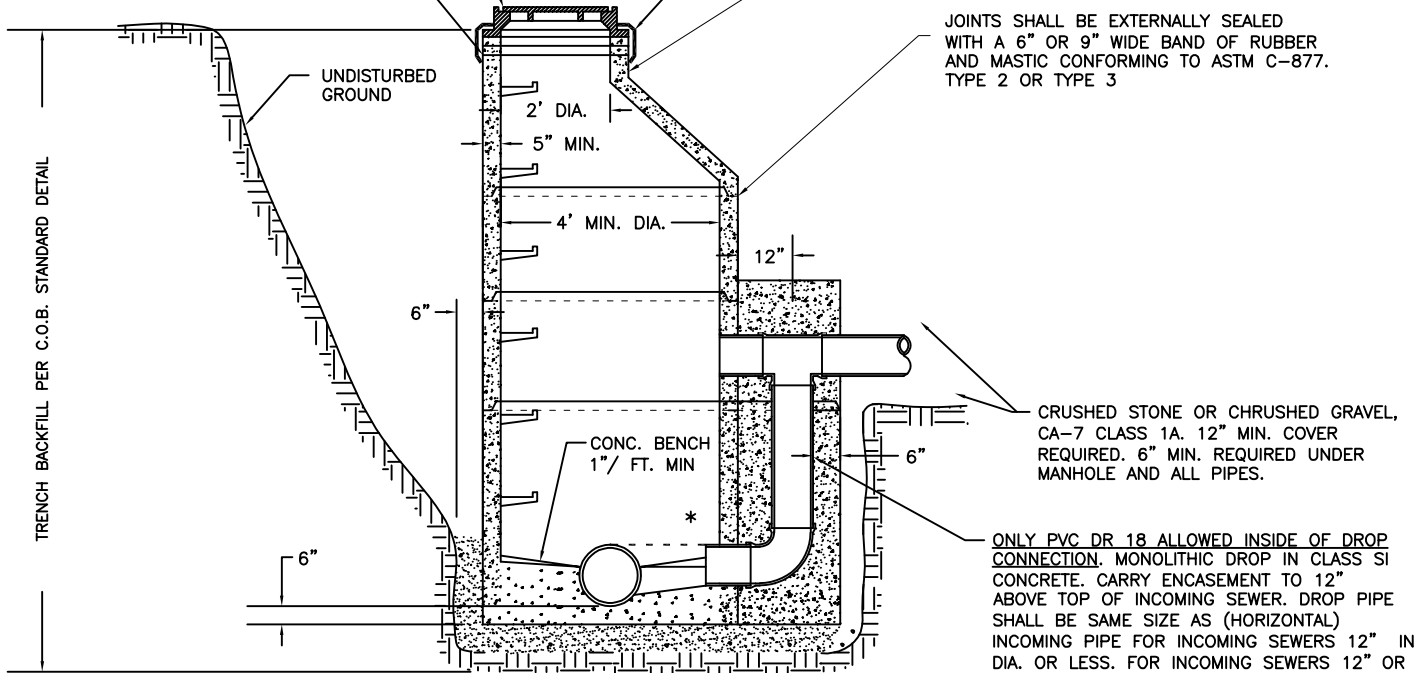
PLAN

EAST JORDAN NO. 1020 FRAME (OR APPROVED
EQUAL) AND SOLID LID WITH CONCEALED
PICKHOLES AND WATERTIGHT GASKET. LID SHALL
HAVE THE WORDS 'CITY OF BATAVIA', 'SANITARY
SEWER' (SEE SANITARY MANHOLE LID DETAIL).
SET FRAME IN BUTYL ROPE

8" MAX. (2 RINGS TOTAL) PRECAST CONCRETE
ADJUSTING RINGS SET IN BUTYL ROPE.
EXTERNAL CHIMNEY SEAL IS REQUIRED FOR ALL
FRAMES AND ADJUSTING RINGS IN ALL AREAS
OR APPLIATIONS, SEE C.O.B. STANDARD DETAIL

PRECAST REINFORCED CONCRETE
MANHOLE SECTION(S) A.S.T.M. C-478
SET IN BUTYL ROPE-SEAL LIFT
LUG HOLES WATERTIGHT.

3" MONOLITHIC LIP REQUIRED ON ALL
STRUCTURES FOR SEALING OF CHIMNEY
SEAL.



JOINTS SHALL BE EXTERNALLY SEALED
WITH A 6" OR 9" WIDE BAND OF RUBBER
AND MASTIC CONFORMING TO ASTM C-877.
TYPE 2 OR TYPE 3

CRUSHED STONE OR CHRUSHED GRAVEL,
CA-7 CLASS 1A. 12" MIN. COVER
REQUIRED. 6" MIN. REQUIRED UNDER
MANHOLE AND ALL PIPES.

ONLY PVC DR 18 ALLOWED INSIDE OF DROP
CONNECTION. MONOLITHIC DROP IN CLASS SI
CONCRETE. CARRY ENCASEMENT TO 12"
ABOVE TOP OF INCOMING SEWER. DROP PIPE
SHALL BE SAME SIZE AS (HORIZONTAL)
INCOMING PIPE FOR INCOMING SEWERS 12" IN
DIA. OR LESS. FOR INCOMING SEWERS 12" OR
GREATER, USE 12" DROP PIPE. NO INSIDE
DROPS ALLOWED.

SECTION A-A

NOTES:

- * 1. INVERTS OF ALL LOWER PIPES SHALL BE DETERMINED BY MATCHING ELEVATIONS OF THE TOP OF ALL PIPES. HOWEVER, FOR SEWERS 15" OR GREATER, SEE APPROVED PLANS FOR INFORMATION ON INVERTS. ALL FLOW CHANNELS SHALL BE PRECAST INTO THE BENCH.
2. PRECAST CONCRETE MANHOLE SECTIONS SHALL BE MINIMUM 4 FT. METER FOR PIPE SIZES 8-IN THRU 18-IN DIAMETER. REFER TO APPROVED PLANS FOR MANHOLE DIAMETERS FOR PIPE SIZES GREATER THAN 18-IN DIAM.
3. ANY MANHOLE, WHICH HAS BEEN DISTURBED IN ANY WAY, INCLUDING BEING RAISED OR LOWERED, SHOULD BE CLEANED AND DRIED BEFORE RE-SEALING. AN APPROVED CHIMNEY SEAL IS REQUIRED. EACH EXPOSED JOINT SHALL BE SEALED WITH A DOUBLE LAYER OF BUTYL ROPE AND EXTERNALLY SEALED PER THE NOTE SHOWN ABOVE.
4. OUTSIDE DROP CONNECTION IS REQUIRED FOR INVERT VERTICAL SEPARATION OF 2 FT. OR MORE (SEE DETAIL).



CITY OF BATAVIA
PUBLIC WORKS DEPARTMENT

SHEET: 1 OF 1
DATE: 1/1/16

DROP MANHOLE - NEW CONSTRUCTION

STANDARD NO. 5.05