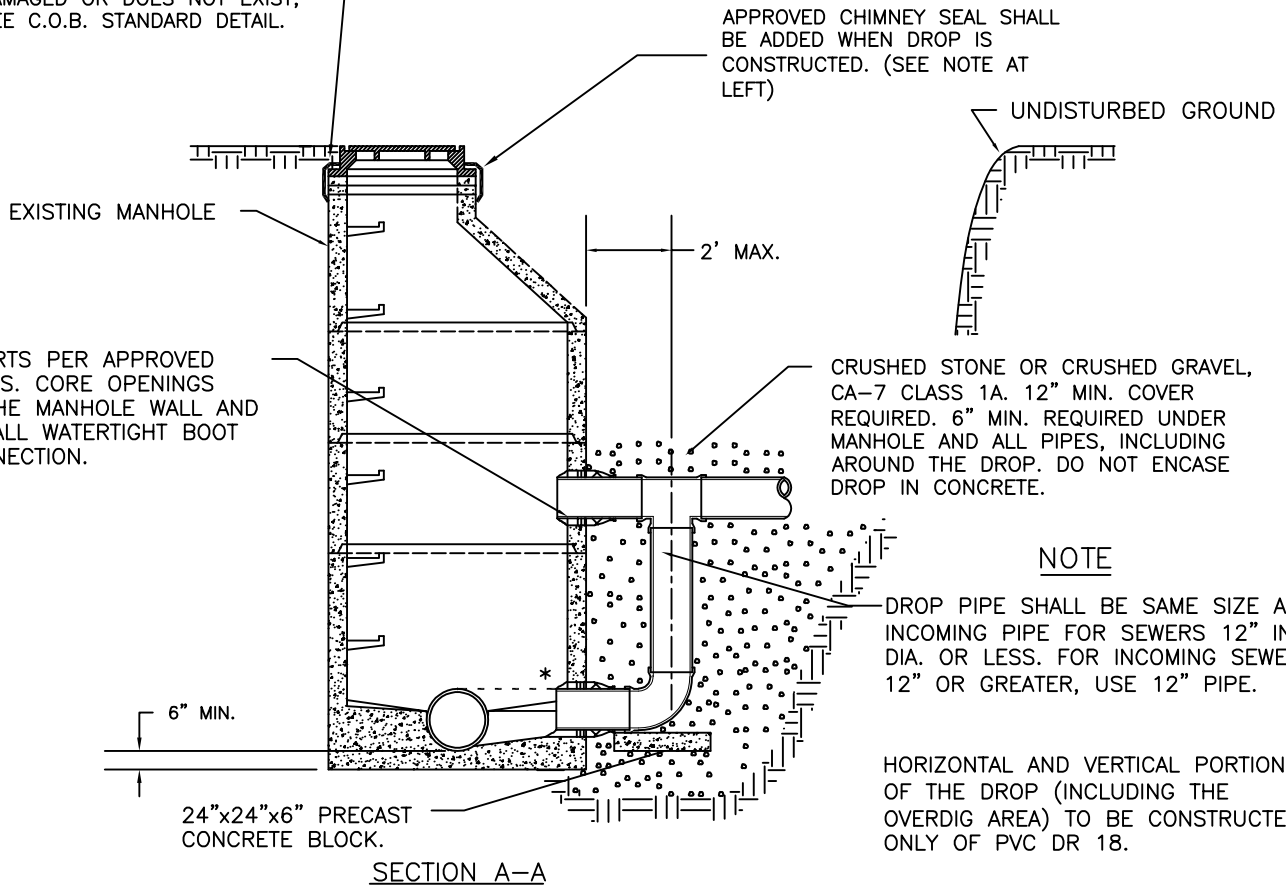
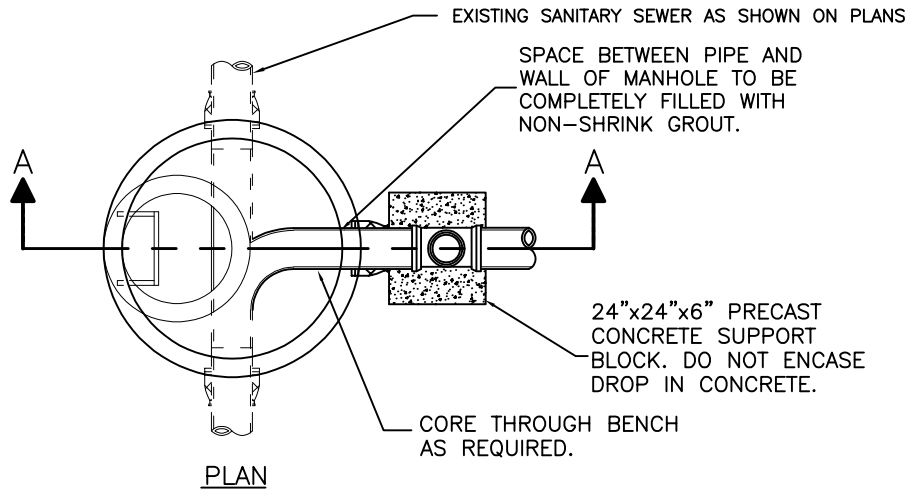


AS WITH NEWLY CONSTRUCTED MANHOLES ONLY 8" OF ADJUSTING RINGS (2 RINGS TOTAL) IS ALLOWED. ADAPTOR-SEAL, INFI-SHIELD, CANUSA (WRAPID SEAL), FLEXRIB OR APPROVED EQUAL CHIMNEY SEALS ARE REQUIRED IF EXISTING SEAL IS DAMAGED OR DOES NOT EXIST.

AS WITH NEWLY CONSTRUCTED MANHOLES ONLY 8" OF ADJUSTING RINGS (2 RINGS TOTAL) IS ALLOWED, SET IN BUTYL ROPE. NEW EXTERNAL CHIMNEY SEAL IS REQUIRED FOR ALL FRAMES AND ADJUSTING RINGS IF EXISTING SEAL IS DAMAGED OR DOES NOT EXIST, SEE C.O.B. STANDARD DETAIL.



NOTES:

- * 1. INVERTS OF INCOMING PIPES SHALL BE DETERMINED BY MATCHING ELEVATIONS OF THE TOP OF ALL PIPES. FOR EXISTING SEWERS 15-IN. OR GREATER, SEE APPROVED PLANS. A PRE-FORMED FLOW LINE SHALL BE MADE IN THE BENCH. SEE C.O.B. "PIPE TO EXISTING MANHOLE CONNECTION" DETAIL FOR INFORMATION.
2. THIS DETAIL DOES NOT APPLY TO PRIVATE SERVICE CONNECTION PROPOSALS.
3. ANY MANHOLE, WHICH HAS BEEN DISTURBED IN ANY WAY, INCLUDING BEING RAISED OR LOWERED, SHOULD BE CLEANED AND DRIED BEFORE RE-SEALING. EACH JOINT SHALL BE SEALED WITH A DOUBLE LAYER OF BUTYL ROPE AND EXTERNALLY SEALED WITH A 6" OR 9" WIDE BAND OF RUBBER AND MASTIC CONFORMING TO ASTM C-877 TYPE 2 OR TYPE 3.



**CITY OF BATAVIA
PUBLIC WORKS DEPARTMENT**

SHEET: 1 OF 1
DATE: 1/1/16

DROP CONNECTION TO EXISTING MANHOLE

STANDARD NO. 5.06