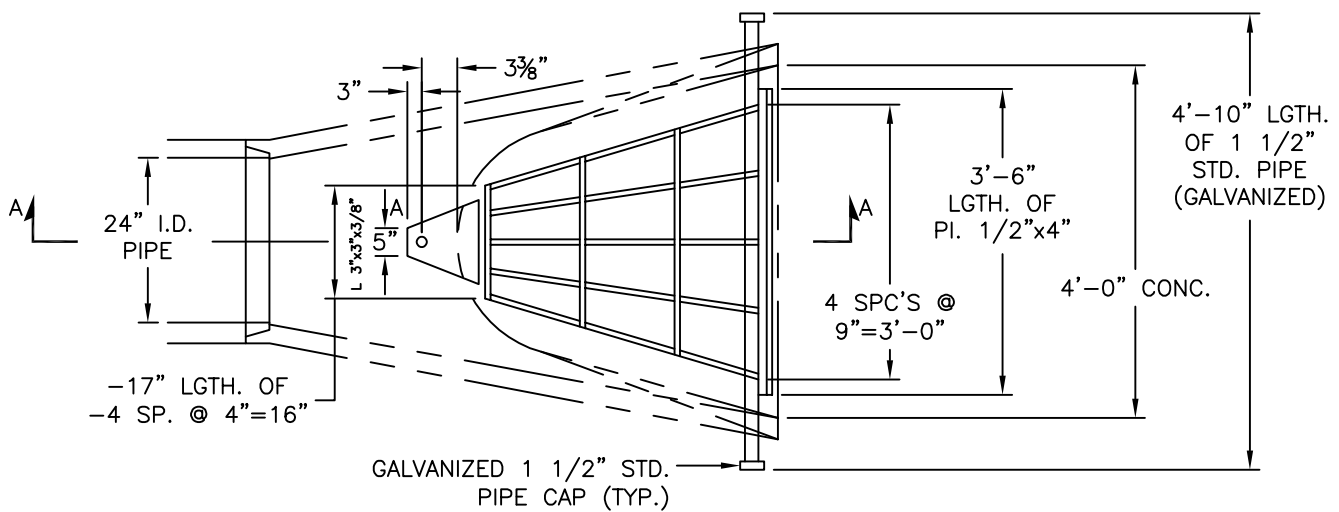


SECTION A-A



PLAN



**CITY OF
BATAVIA**

**CITY OF BATAVIA
PUBLIC WORKS DEPARTMENT**

SHEET: 1 OF 1
DATE: 1/1/16

FLARED END SECTION B

STANDARD NO. 4.04