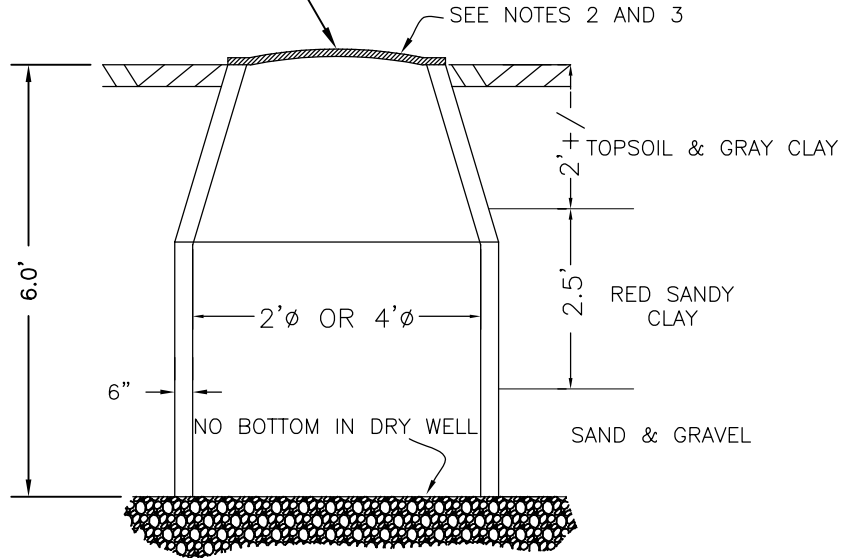
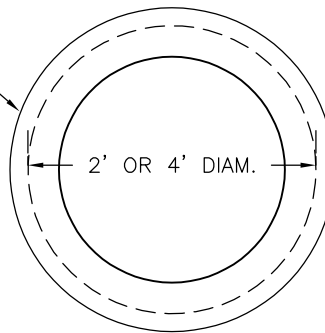


USE FILTER FABRIC AT GRATE
UNTIL VEGETATION IS ESTABLISHED



DRY WELL DETAIL

REFER TO APPROVED PLANS
FOR REQUIRED STRUCTURE DIAM.



PLAN

NOTES:

1. PRE-CAST REINFORCED CONCRETE RISER RINGS SHALL COMPLY WITH ASTM C-39.
2. USE EAST JORDAN NO. 6527 GRATE OR APPROVED EQUAL FOR ALL INLETS IN NON-RESIDENTIAL LOCATIONS.
3. FOR RESIDENTIAL USE EAST JORDAN NO. 1020 FRAME & M1 LID OR APPROVED EQUAL FOR ALL JUNCTION BOXES.
4. THE USE OF DRY WELLS REQUIRES PRIOR APPROVAL BY THE CITY ENGINEER.



**CITY OF
BATAVIA**

**CITY OF BATAVIA
PUBLIC WORKS DEPARTMENT**

**SHEET: 1 OF 1
DATE: 1/01/16**

DRY WELL STRUCTURE

STANDARD NO. 4.07 STM_DRYWALL