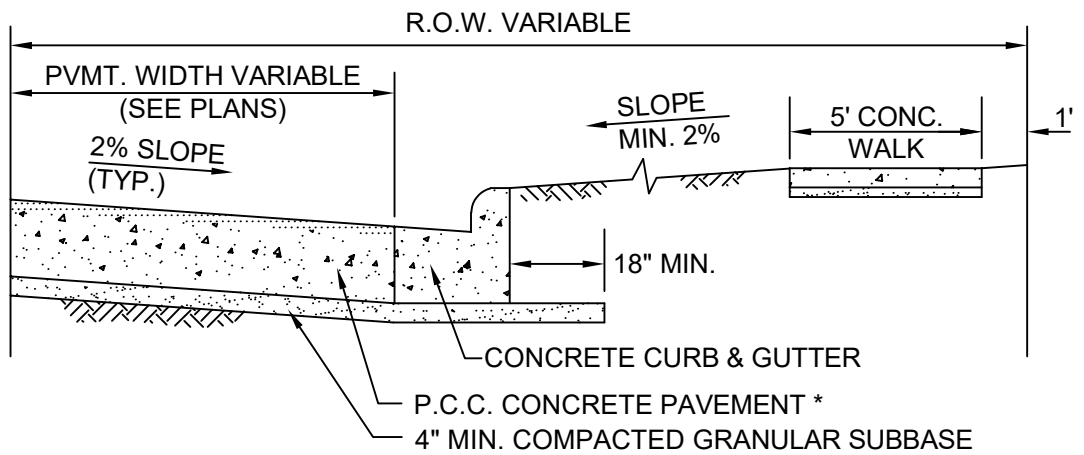


FLEXIBLE PAVEMENT



RIGID PAVEMENT

\* REFER TO THE DESIGN MANUAL FOR THICKNESS REQUIREMENTS FOR HMA AND PCC COURSES.



CITY OF BATAVIA  
PUBLIC WORKS DEPARTMENT

SHEET: 1 OF 1  
DATE: 1/1/16

TYPICAL PAVEMENT DETAILS

STANDARD NO. 7.13