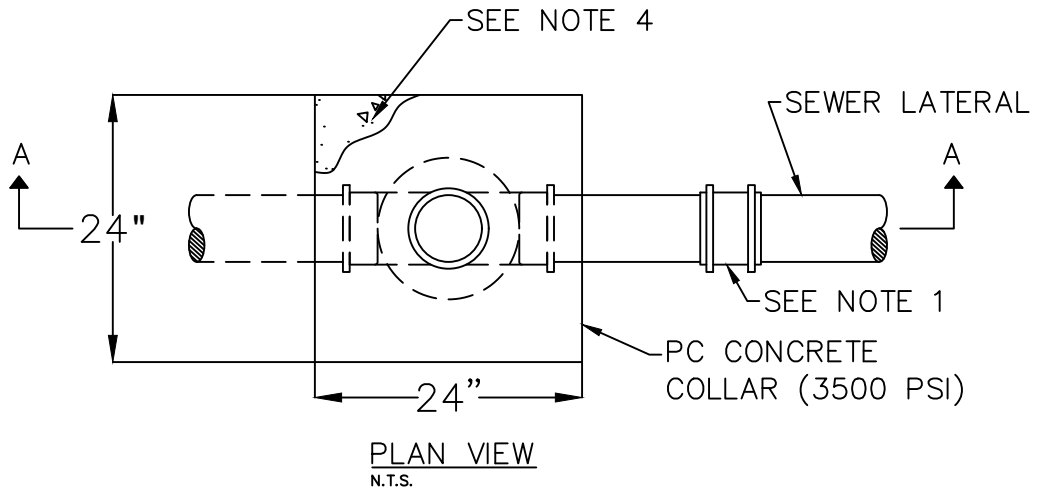


NOTES:

1. FLEXIBLE COUPLING SHALL BE A NON-SHEAR TRANSITION COUPLING AS MANUFACTURED BY FERNCO SERIES 1056 RC OR APPROVED EQUAL
2. CLEAN-OUT ENCLOSURE SHALL BE E.J.I.W. 1566Z FRAME BLACK ASPHALTIC COATED WITH E.J.I.W. 1566A LID
3. CLEAN-OUT ENCLOSURE IS REQUIRED WHERE CLEAN-OUT IS INSTALLED WITHIN OR NEAR ANY HMA/PCC SURFACE
4. REFER TO THE PLAN SHEETS FOR THE PAVEMENT TYPE/THICKNESS

SECTION A-A  
N.T.S.



CITY OF BATAVIA  
PUBLIC WORKS DEPARTMENT

SHEET: 1 OF 1  
DATE: 2/3/2023

SANITARY SERVICE CLEANOUT

STANDARD NO. 5.10